

FALK® A+PLUS

SITE PROVEN DRIVES FOR THE
MOST DEMANDING APPLICATIONS

A+PLUS SMART FEATURES

Falk® A+Plus parallel-shaft drives feature super-rugged designs to meet every operating challenge. And they're site-proven in the world's most demanding applications to take plenty of tough, on-the-job punishment. Application-engineered to maximize strength and minimize wear, and to extend service life, these drives deliver steady, trouble-free operation, day-after-day. They're also specially designed and constructed to offer you maximum features and flexibility.

FALK MAGNUM "NO-LEAK" SEALS

Falk's exclusive labyrinth-design, non-wearing Magnum seal keeps oil in and dirt out. A purgeable grease chamber with, in most cases a Viton contact seal, prevents the infiltration of dirt and grime.

A unique drainback passage combines with a radial and axial bush seal to retain oil and eliminate leaks. Tandem lip type seals are used for high oil level requirements. Manufacturer's seal numbers are published for local sourcing.

FALK SUPERIOR "HIGH STRENGTH" GEARING

A+Plus gearing is engineered to exceed AGMA requirements. Coarse pitch helical gears (20° pressure angle) are protuberance hobbed, case carburized, and finish ground with lead and profile modifications that assure full contact under load.

These modifications, when combined with housing bore accuracy and assembly quality, provide gear mesh performance that is equivalent to gearing with a quality 12 level. Spiral bevel gears are case carburized, shot peened and finish skived. A+Plus gears can take the shock, where others fail.

A+PLUS "MESH ACCURATE" QUIET OPERATION

A+Plus advanced dynamic design, superior manufacturing and assembly standards, and stringent quality controls develop "mesh-accurate" gearing that assures exceptionally smooth and quiet operation and extended service life.



A+PLUS "TOUGH" STEEL HOUSINGS

A Falk exclusive. Rugged, all-welded steel housings simplify rebuild or bearing replacement. Extra strength and rigidity to maintain accurate gear alignments.

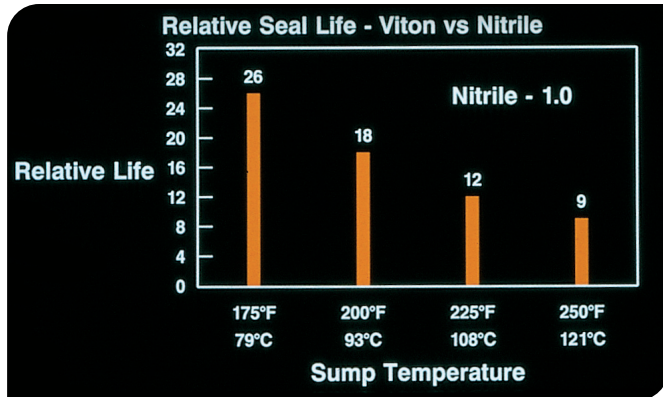
REDUCED DOWN TIME

At 200°F (93°C) Falk A+Plus Viton oil-seals have 18 times the operating life of conventional Nitrile seals. We can meet requirements to 19,000 Hp/ 15000 kW and catalog torque ratings to 5,600,000 lb-in/ 630,000 Nm with speed ratios from 1.8:1 to 437.9:1.

FEATURES & BENEFITS

PRODUCT FLEXIBILITY FOR THE JOB

Falk A+Plus Gear Drives are used worldwide in a broad range of industries and applications. They are available in horizontal or vertical arrangements with solid or hollow low speed shaft for foot, flange, or shaft mounting.



OTHER STANDARD FEATURES

Positive Lubrication – Oil splash feed or pump lubrication to all rotating elements.

SUPERIOR GEAR BOX EFFICIENCY

Dynamic design plus manufacturing accuracy. Helical gearing offers up to 99% gearmesh efficiencies.

LONGER-LIFE BEARINGS

Sized for exceptional performance under worst load conditions. Readily available tapered or roller bearings. Published manufacturer numbers for local sourcing.

HIGH-STRENGTH SHAFTS

Accurate support. High stiffness and shock resistance.

FALK®

Motion Control Solutions
Regal Rexnord

Customer Service: 800-626-2120

Technical Service: 800-626-2093

CustomerService.PTSolutions@regalrexnord.com

regalrexnord.com

The proper selection and application of products and components, including assuring that the product is safe for its intended use, are the responsibility of the customer. To view our Application Considerations, please visit <https://www.regalrexnord.com/Application-Considerations>.

To view our Standard Terms and Conditions of Sale, please visit <https://www.regalrexnord.com/Terms-and-Conditions-of-Sale> (which may redirect to other website locations based on product family).

"Regal Rexnord" is not indicative of legal entity.

Regal Rexnord and Falk are trademarks of Regal Rexnord Corporation or one of its affiliated companies.

© 2007, 2022 Regal Rexnord Corporation, All Rights Reserved. MCSSP22069E • Form# 131-100E

CONVENIENT INSPECTION –

Removable covers or plugs permit inspection of rotating members.

FILTERED AIR BREATHERS –

No pressure buildup. No contaminants.

UNIVERSAL HOUSING FEATURES MOUNTING FLEXIBILITY –

Symmetrical tub/cover housing adapts to vertical or horizontal mounting; allows ready access to all rotating elements.

POSITIVE LUBRICATION FOR VERTICAL MOUNTINGS –

Motor-driven external pump with filter and flow switch provides constant oil flow.

NO-LEAK DRYWELL –

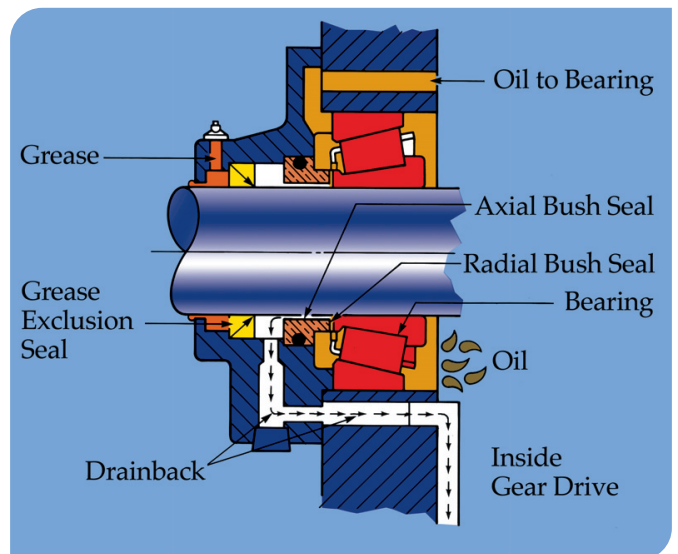
Positive oil retention in vertical low speed shaft applications.

HOLLOW OUTPUT –

Available for horizontal and vertical configurations.

3-YEAR HEAVY-DUTY WARRANTY

A+Plus is backed by the industry's first standard 3-year warranty, providing full "shaft-to-shaft" protection on all Falk components including bearings and seals.



RegalRexnord