

## WHY CHOOSE LINK-BELT® MOUNTED BALL BEARINGS?

### TECHNICAL EXPERTISE

Link-Belt ball bearings are supported by a team of highly experienced application engineers to provide customers with bearing performance analysis and proper bearing selection for optimal application performance.

### INNOVATIVE ATTACHMENT OPTIONS

Replacing ball bearings on your equipment should be straight-forward and error-free, so we have developed patented shaft attachment options to improve shaft holding force and simplify installation. The Centrik-Lok® CL and SHURLOK® mounting collars provide industry leading shaft grip strength for extended life in high vibration environments such as package and material handling.

### LEADING SEAL OPTIONS

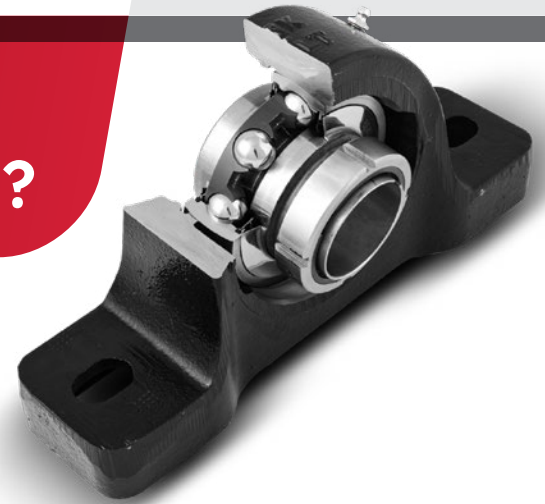
Link-Belt ball bearings offer highly engineered sealing options for a wide range of applications and industries. Our range of seal options allows for the proper balance of protection against contaminants and dynamic bearing performance to reduce premature bearing failure, reduce unplanned downtime and improve overall productivity.

### RANGE OF DUTY

Link-Belt mounted ball bearings offer the widest range of duty and performance options. We offer a wide variety of housings, seals and mounting options to provide customers with a broad range of product configurations. Combined with our vast component supermarket, Regal Rexnord is able to provide the optimal ball bearing tailored to the specific needs of your application.

### AVAILABILITY

We understand that equipment downtime is not an option for our customers. Regal Rexnord utilizes a network of warehouses and distribution channels to provide inventory coverage for our product offering and provide greater customer satisfaction.






### Industries Served:

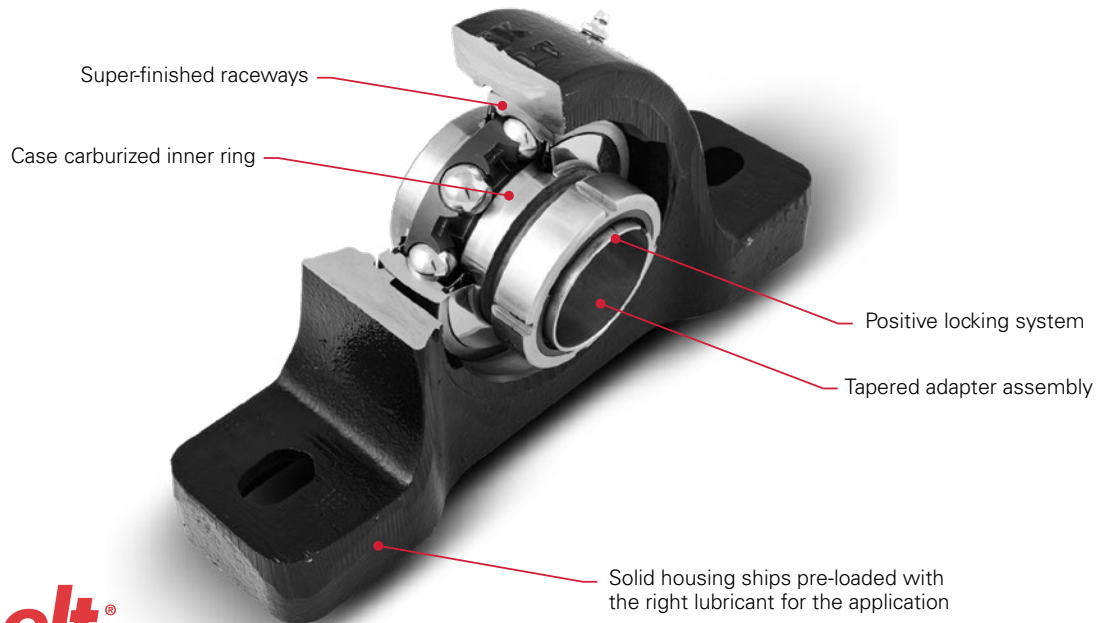
- Aggregates
- Air Handling
- Construction Machinery
- Food & Beverage
- Forest Products
- Material Handling
- Mining
- Pumps & Compressors
- Steel



# WHY CHOOSE LINK-BELT® MOUNTED BALL BEARINGS?

## WIDE RANGE OF DUTY OPTIONS

		
<p align="center"><b>HEAVY-DUTY</b></p>	<p align="center"><b>INTERMEDIATE-, STANDARD- AND MEDIUM-DUTY</b></p>	<p align="center"><b>CORROSION-RESISTANT</b></p>
<ul style="list-style-type: none"> <li>• Shaft sizes up to 4" (102 mm)</li> <li>• Set screw, eccentric and SHURLOK® adapter-mount shaft attachments</li> <li>• Alignable, precision, deep-groove ball bearings</li> </ul>	<ul style="list-style-type: none"> <li>• Shaft sizes up to 4" (102 mm)</li> <li>• Centrik-Lok®, set screw and eccentric cam locking collars</li> <li>• Narrow or wide inner rings</li> <li>• Light and heavy contact seals</li> </ul>	<ul style="list-style-type: none"> <li>• Shaft sizes up to 1-15/16" (49 mm)</li> <li>• Stainless steel bearing insert</li> <li>• Front and rear double lip seals</li> <li>• Protective safety caps</li> </ul>



## Link-Belt®

**Motion Control Solutions  
Regal Rexnord**

Contact us: [regalrexnord.com/contact](https://www.regalrexnord.com/contact)

[regalrexnord.com](https://www.regalrexnord.com)

The proper selection and application of products and components, including assuring that the product is safe for its intended use, are the responsibility of the customer. To view our Application Considerations, please visit <https://www.regalrexnord.com/Application-Considerations>. To view our Standard Terms and Conditions of Sale, please visit <https://www.regalrexnord.com/Terms-and-Conditions-of-Sale> (which may redirect to other website locations based on product family).

"Regal Rexnord" is not indicative of legal entity. Refer to product purchase documentation for the applicable legal entity. Regal Rexnord, Link-Belt, Centrik-Lok and SHURLOK are trademarks of Regal Rexnord Corporation or one of its affiliated companies. © 2012, 2023 Regal Rexnord Corporation, All Rights Reserved. MCSSP23024E • Form# BR5-010E

**Regal Rexnord**