

# REX® SHURLOK® ADAPTER MOUNTED ROLLER BEARING

## ZA 6000 SERIES



When equipment goes down you lose money – plain and simple. The ZA 6000 Series SHURLOK Adapter Mounted Roller Bearing was designed to maximize uptime and minimize changeover time so you can keep your equipment – and your profits – going strong.

### GENERAL BEARING INFORMATION

- **Races** – Precision ground and super finished
- **Housings** – Powder coated cast iron or steel
- **Grease** – Multi-purpose lithium complex
- **Standard Seal** – Z – Labyrinth type

### SEAL OPTIONS AVAILABLE:

- **K** – Light contact single lip seal
- **G** – Triple lip seal
- **M** – Heavy contact spring loaded lip seal
- Viton® seals for high temperature and chemical resistance
- Special grease
- Auxiliary end caps
- High temperature options including additional internal clearance, steel retainers and optional greases

### POSITIVE LOCKING SYSTEM

Reduces vibration and eliminates the need for scheduled mounting inspections

### TAPERED MOUNTING SLEEVE

- 25 percent greater shaft grip reduces shaft damage caused by loose mountings
- Allows easy removal of the bearing from the shaft – saves on maintenance time and damaged shafts
- Accommodates the use of inexpensive commercial grade shafting

### SPHERICAL ROLLER ELEMENTS

- Industry leading four degrees of static and dynamic misalignment for easy installation and longer bearing life
- Oversized rollers for broad application coverage and extended bearing life
- Steep contact angles for life extension in high thrust load applications

### SUPER-FINISHED RACEWAYS AND ROLLERS

Provide a cool running, quiet, high speed and high load capacity design

### Key Industries

Air Handling  
Cement/Aggregate  
Forest Products  
Mining  
Steel

### Housing Options:

- 2 and 4-bolt Pillow Blocks
- Flange Blocks
- Flange Cartridge Blocks
- Cartridge Blocks
- Duplex units
- Take-ups
- Fixed or Float

### Shaft Sizes:

- 1 7/16" through 6 15/16"

### Shaft Tolerance Recommendations:

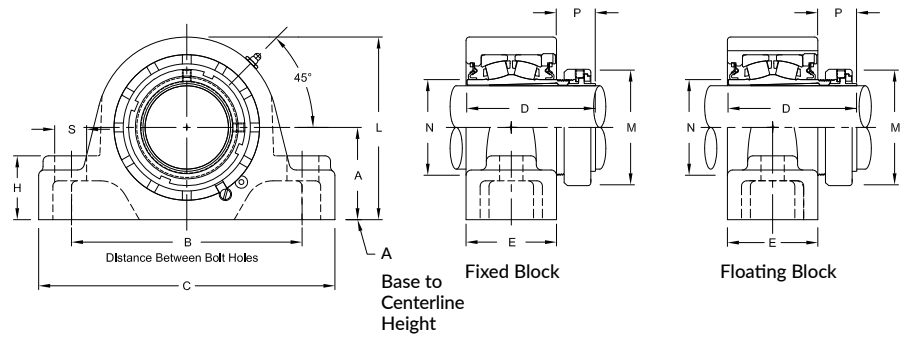
- 1 7/16" through 1 15/16"  
nominal to -.003" tolerances
- 2 3/16" through 3 15/16"  
nominal to -.004" tolerances
- 4 3/16" through 5 15/16"  
nominal to -.005" tolerances
- 6 7/16" through 6 15/16"  
nominal to -.006" tolerances

### Mounting Type:

- SHURLOK Adapter Mount

# REX® SHURLOK® ADAPTER MOUNTED ROLLER BEARING – ZA 6000 SERIES

## Nomenclature & Specifications Bearing Dimensions



### Rex® 6000 Series SHURLOK

| Size Code                     | Shaft Diameter | Expansion   |         |         |       |        | Fixed |             |         |         |        | A<br>Base to Centerline Height | B<br>Distance Between Bolt Holes | G<br>Bolt Hole Spacing (Width) | D      | F<br>Bolts | M       | N   | P       | Approx. Weight |         |          |
|-------------------------------|----------------|-------------|---------|---------|-------|--------|-------|-------------|---------|---------|--------|--------------------------------|----------------------------------|--------------------------------|--------|------------|---------|-----|---------|----------------|---------|----------|
|                               |                | Part Number | C       | E       | H     | L      | S     | Part Number | C       | E       | H      |                                |                                  |                                |        |            |         |     |         |                | L       | S        |
| <b>Two-Bolt Pillow Block</b>  |                |             |         |         |       |        |       |             |         |         |        |                                |                                  |                                |        |            |         |     |         |                |         |          |
| 4                             | 1 7/16         | ZAS6107     | 6 9/16  | 2 3/16  | 1     | 3 7/8  | 7/8   | ZA6107      | 6 9/16  | 2 1/4   | 1 3/16 | 3 11/16                        | 13/16                            | 1 7/8                          | 5      | —          | 3 21/64 | 1/2 | 2 25/64 | 1 3/4          | 1 9/64  | 6.10 lb  |
| 5                             | 1 11/16        | ZAS6111     | 7 1/8   | 2 3/16  | 1 1/8 | 4 3/8  | 7/8   | ZA6111      | 7 1/8   | 2 1/2   | 1 5/16 | 4 1/4                          | 13/16                            | 2 1/8                          | 5 1/2  | —          | 3 47/64 | 1/2 | 2 41/64 | 2 1/32         | 1 9/32  | 9.50 lb  |
| 6                             | 1 15/16        | ZAS6115     | 8 3/8   | 2 1/2   | 1 3/8 | 4 9/16 | 1     | ZA6115      | 8 1/8   | 2 1/2   | 1 3/8  | 4 9/16                         | 15/16                            | 2 1/4                          | 6 1/4  | —          | 3 41/64 | 5/8 | 2 55/64 | 2 5/16         | 1 1/8   | 10.90 lb |
| 7                             | 2 3/16         | ZAS6203     | 8 5/8   | 2 9/16  | 1 5/8 | 5      | 1     | ZA6203      | 8 5/8   | 2 9/16  | 1 5/8  | 5                              | 1                                | 2 1/2                          | 6 3/4  | —          | 3 11/16 | 5/8 | 3 15/64 | 2 5/8          | 1 5/32  | 12.90 lb |
| 8                             | 2 3/8          | ZAS6206     | 9 1/8   | 2 11/16 | 1 5/8 | 5 1/2  | 1     | ZA6206      | 9 1/8   | 2 11/16 | 1 5/8  | 5 1/2                          | 1                                | 2 3/4                          | 7 1/8  | —          | 4 1/16  | 5/8 | 3 19/32 | 2 29/32        | 1 27/64 | 16.10 lb |
|                               | 2 7/16         | ZAS6207     |         |         |       |        |       | ZA6207      |         |         |        |                                |                                  |                                |        |            |         |     |         |                |         | 26.00 lb |
| 9                             | 2 11/16        | ZAS6211     | 10 7/16 | 3 3/16  | 2     | 6 7/16 | 1 1/8 | ZA6211      | 10 7/16 | 3 3/16  | 2      | 6 7/16                         | 1 1/8                            | 3 1/4                          | 8 1/8  | —          | 4 17/32 | 3/4 | 4 3/32  | 3 3/8          | 1 25/64 | 27.30 lb |
|                               | 2 3/4          | ZAS6212     |         |         |       |        |       | ZA6212      |         |         |        |                                |                                  |                                |        |            |         |     |         |                |         | 26.90 lb |
| 10                            | 2 15/16        | ZAS6215     | 13      | 3 7/16  | 2 1/4 | 7 1/2  | 1 5/8 | ZA6215      | 13      | 3 7/16  | 2 1/4  | 7 1/2                          | 1 5/8                            | 3 3/4                          | 10     | —          | 5 1/32  | 7/8 | 4 61/64 | 3 31/32        | 1 19/32 | 26.00 lb |
|                               | 3 3/16         | ZAS6303     |         |         |       |        |       | ZA6303      |         |         |        |                                |                                  |                                |        |            |         |     |         |                |         | 41.80 lb |
| 11                            | 3 7/16         | ZAS6307     | 14 1/4  | 4 1/8   | 2 1/8 | 8 1/2  | 1 3/4 | ZA6307      | 14 1/4  | 4 1/8   | 2 1/8  | 8 1/2                          | 1 3/4                            | 4 1/8                          | 10 7/8 | —          | 5 31/32 | 1   | 5 43/64 | 4 9/16         | 1 47/64 | 40.30 lb |
|                               | 3 11/16        | ZAS6311     |         |         |       |        |       | ZA6311      |         |         |        |                                |                                  |                                |        |            |         |     |         |                |         | 58.00 lb |
| 11                            | 3 15/16        | ZAS6315     | 14 1/4  | 4 1/8   | 2 1/8 | 8 1/2  | 1 3/4 | ZA6315      | 14 1/4  | 4 1/8   | 2 1/8  | 8 1/2                          | 1 3/4                            | 4 1/8                          | 10 7/8 | —          | 5 31/32 | 1   | 5 43/64 | 4 9/16         | 1 47/64 | 56.00 lb |
|                               | 3 15/16        | ZAS6315     |         |         |       |        |       | ZA6315      |         |         |        |                                |                                  |                                |        |            |         |     |         |                |         | 56.00 lb |
| <b>Four-Bolt Pillow Block</b> |                |             |         |         |       |        |       |             |         |         |        |                                |                                  |                                |        |            |         |     |         |                |         |          |
| 6                             | 1 15/16        | ZAS6115F    | 8 3/8   | 3 3/16  | 1 3/8 | 4 9/16 | 7/8   | ZA6115F     | 8 3/8   | 3 3/16  | 1 3/8  | 4 9/16                         | 7/8                              | 2 1/4                          | 6 1/4  | 1 19/32    | 3 41/64 | 1/2 | 2 55/64 | 2 5/16         | 1 1/8   | 11.70 lb |
| 7                             | 2 3/16         | ZAS6203F    | 8 7/8   | 3 1/4   | 1 5/8 | 5      | 7/8   | ZA6203F     | 8 7/8   | 3 1/4   | 1 5/8  | 5                              | 7/8                              | 2 1/2                          | 6 3/4  | 1 11/16    | 3 11/16 | 1/2 | 3 15/64 | 2 5/8          | 1 5/32  | 15.30 lb |
| 8                             | 2 3/8          | ZAS6206F    | 9 1/4   | 3 3/8   | 1 3/4 | 5 1/2  | 7/8   | ZA6206F     | 9 1/4   | 3 3/8   | 1 3/4  | 5 1/2                          | 7/8                              | 2 3/4                          | 7 1/8  | 1 3/4      | 4 1/16  | 1/2 | 3 19/32 | 2 29/32        | 1 27/64 | 16.90 lb |
|                               | 2 7/16         | ZAS6207F    |         |         |       |        |       | ZA6207F     |         |         |        |                                |                                  |                                |        |            |         |     |         |                |         | 16.60 lb |
| 9                             | 2 11/16        | ZAS6211F    | 10 7/16 | 3 3/4   | 2 1/4 | 6 7/16 | 1     | ZA6211F     | 10 7/16 | 3 3/4   | 2 1/4  | 6 7/16                         | 1                                | 3 1/4                          | 8 1/8  | 1 7/8      | 4 17/32 | 5/8 | 4 3/32  | 3 3/8          | 1 25/64 | 28.00 lb |
|                               | 2 3/4          | ZAS6212F    |         |         |       |        |       | ZA6212F     |         |         |        |                                |                                  |                                |        |            |         |     |         |                |         | 26.80 lb |
| 10                            | 2 15/16        | ZAS6215F    | 13      | 4 1/8   | 2 1/4 | 7 1/2  | 1 1/2 | ZA6215F     | 13      | 4 1/8   | 2 1/4  | 7 1/2                          | 1 1/2                            | 3 3/4                          | 10     | 2          | 5 1/32  | 3/4 | 4 61/64 | 3 31/32        | 1 19/32 | 42.10 lb |
|                               | 3 3/16         | ZAS6303F    |         |         |       |        |       | ZA6303F     |         |         |        |                                |                                  |                                |        |            |         |     |         |                |         | 40.60 lb |
| 11                            | 3 7/16         | ZAS6307F    | 15 1/4  | 4 1/2   | 2 5/8 | 8 1/2  | 1 1/4 | ZA6307F     | 15 1/4  | 4 1/2   | 2 5/8  | 8 1/2                          | 1 1/4                            | 4 1/4                          | 12 1/2 | 2 1/4      | 5 31/32 | 3/4 | 5 43/64 | 4 9/16         | 1 47/64 | 63.00 lb |
|                               | 3 11/16        | ZAS6311F    |         |         |       |        |       | ZA6311F     |         |         |        |                                |                                  |                                |        |            |         |     |         |                |         | 61.00 lb |
| 11                            | 3 15/16        | ZAS6315F    | 15 1/4  | 4 1/2   | 2 5/8 | 8 1/2  | 1 1/4 | ZA6315F     | 15 1/4  | 4 1/2   | 2 5/8  | 8 1/2                          | 1 1/4                            | 4 1/4                          | 12 1/2 | 2 1/4      | 5 31/32 | 3/4 | 5 43/64 | 4 9/16         | 1 47/64 | 61.00 lb |
|                               | 3 15/16        | ZAS6315F    |         |         |       |        |       | ZA6315F     |         |         |        |                                |                                  |                                |        |            |         |     |         |                |         | 61.00 lb |

\* Consult Rex Catalog BR101-100EN for load and speed ratings. Seals - To specify K, G or M seal, replace "Z" in model number with "K", "G" or "M".

\*\* Dodge is believed to be the trademark and/or trade name of RBC Bearings Company and is not owned or controlled by Regal Rexnord Corporation or its affiliates.

### Rex® 6000 Series SHURLOK Adapter Mount Roller Bearings Interchange Chart

| Shaft Size Inches | # of Bolts | Rex® 6000 Series |            | Dodge*** Imperial |              |
|-------------------|------------|------------------|------------|-------------------|--------------|
|                   |            | Fixed            | Floating   | Fixed             | Floating     |
| 1 7/16            | 2          | ZA-6107          | ZAS-6107   | P2B-IP-107R       | P2B-IP-107RE |
| 1 11/16           | 2          | ZA-6111          | ZAS-6111   | P2B-IP-111R       | P2B-IP-111RE |
| 1 15/16           | 2          | ZA-6115          | ZAS-6115   | P2B-IP-115R       | P2B-IP-115RE |
| 2 3/16            | 2          | ZA-6203          | ZAS-6203   | P2B-IP-203R       | P2B-IP-203RE |
| 2 3/8             | 2          | ZA-6206          | ZAS-6206   | P2B-IP-206R       | P2B-IP-206RE |
| 2 3/8             | 4          | ZA-6206-F        | ZAS-6206-F | P4B-IP-206R       | P4B-IP-206RE |
| 2 7/16            | 2          | ZA-6207          | ZAS-6207   | P2B-IP-207R       | P2B-IP-207RE |
| 2 7/16            | 4          | ZA-6207-F        | ZAS-6207-F | P4B-IP-207R       | P4B-IP-207RE |
| 2 11/16           | 2          | ZA-6211          | ZAS-6211   | P2B-IP-211R       | P2B-IP-211RE |
| 2 11/16           | 4          | ZA-6211-F        | ZAS-6211-F | P4B-IP-211R       | P4B-IP-211RE |
| 2 3/4             | 2          | ZA-6212          | ZAS-6212   | P2B-IP-212R       | P2B-IP-212RE |
| 2 3/4             | 4          | ZA-6212-F        | ZAS-6212-F | P4B-IP-212R       | P4B-IP-212RE |
| 2 15/16           | 2          | ZA-6215          | ZAS-6215   | P2B-IP-215R       | P2B-IP-215RE |
| 2 15/16           | 4          | ZA-6215-F        | ZAS-6215-F | P4B-IP-215R       | P4B-IP-215RE |
| 3 3/16            | 2          | ZA-6303          | ZAS-6303   | P2B-IP-303R       | P2B-IP-303RE |
| 3 3/16            | 4          | ZA-6303-F        | ZAS-6303-F | P4B-IP-303R       | P4B-IP-303RE |
| 3 7/16            | 2          | ZA-6307          | ZAS-6307   | P2B-IP-307R       | P2B-IP-307RE |
| 3 7/16            | 4          | ZA-6307-F        | ZAS-6307-F | P4B-IP-307R       | P4B-IP-307RE |
| 3 15/16           | 4          | ZA-6311-F        | ZAS-6311-F | P4B-IP-311R       | P4B-IP-311RE |
| 3 15/16           | 4          | ZA-6315-F        | ZAS-6315-F | P4B-IP-315R       | P4B-IP-315RE |



Industrial Powertrain Solutions  
Regal Rexnord

Contact us: [rexnord.com/contact](http://rexnord.com/contact)

[regalrexnord.com](http://regalrexnord.com)

The proper selection and application of products and components, including assuring that the product is safe for its intended use, are the responsibility of the customer. To view our Application Considerations, please visit <https://www.regalrexnord.com/Application-Considerations>.

To view our Standard Terms and Conditions of Sale, please visit <https://www.regalrexnord.com/Terms-and-Conditions-of-Sale> (which may redirect to other website locations based on product family).

\*Regal Rexnord" is not indicative of legal entity. Refer to product purchase documentation for the applicable legal entity.

Regal Rexnord, Rex and SHURLOK are trademarks of Regal Rexnord Corporation or one of its affiliated companies.

© 2016, 2023 Regal Rexnord Corporation, All Rights Reserved. MCSSP230702E • Form# BR5-027E

