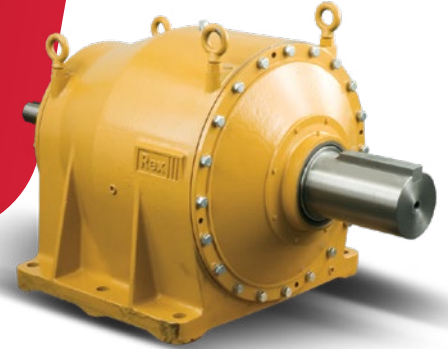


WHY CHOOSE REXNORD® PLANETGEAR™ CONCENTRIC GEAR DRIVES?



RELIABLE OPERATION

Self-aligning planet carriers float radially and axially to provide perfect alignment of the drive train. Tapered roller bearings on both input and output shafts provide high overhung and thrust load capacity.

DURABLE AND RUGGED

State-of-the-art materials and processes provide hardened, wear-resistant gearing that handles heavy-duty applications and shock loads. A self-aligning gear train ensures equal load distribution. Components are spline-connected to isolate the gear train from external forces.

EASY TO SERVICE FOR INCREASED UPTIME

No special tools are required for changing wear items, and no shimming is required to set bearing clearances.

DUAL SEAL PROTECTION

Two seals on each shaft provide a grease-purgeable cavity to keep dirt and moisture out. Taconite duty-rated seals are standard.

REDUCE INVENTORY WITH FAST, EASY RATIO CHANGES

Planetgear uses standard sub-assemblies which allow fast gear ratio changes in the field. No bearing adjustments are required — just change and go.

THREE-YEAR HEAVY-DUTY WARRANTY

The industry's first, standard three-year warranty provides full "shaft-to-shaft" protection on all components, including bearings and seals.

Industries Served

- Mining
- Forest Products
- Aggregate
- Food & Grain
- Cement
- Primary Metals
- Power Generation

Flexible Mounting Options

- Scoop mount
- Top motor mount
- Baseplate
- Vertical
- Slidebases
- Integrated C-face

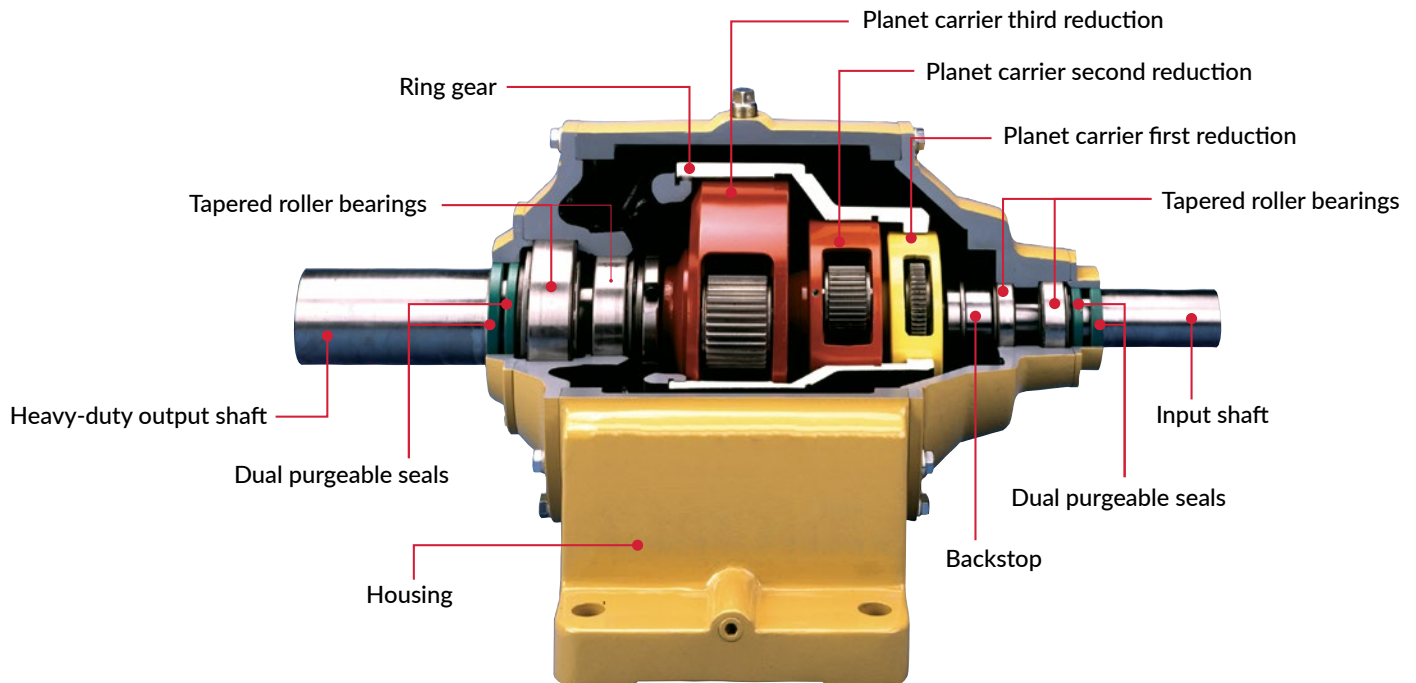


WHY CHOOSE REXNORD® PLANETGEAR™ GEAR DRIVES?



Rexnord Planetgear Gear Drives

- 16 unit sizes, 3M lb-in torque (340 kNm), high ratios
- Base-Mounted Planetgear option
 - 3k lb-in to 900k lb-in (339 Nm to 102 kNm)
- Shaft-Mount Planetgear (SMP) option
 - 200k lb-in to 3,000k lb-in (22 kNm to 339 kNm)
- Three-year heavy-duty warranty
- Inline with motor mounting accessories
- Internal backstop
- Foot mount, hollow bore, shrink disc
- Inch and IEC (metric)
- Catalog ratings – continuous-duty (AGMA)
- Fan options available for cooling



Motion Control Solutions
Regal Rexnord

Contact us: [rexnord.com/contact](https://www.rexnord.com/contact)

[regalrexnord.com](https://www.regalrexnord.com)

The proper selection and application of products and components, including assuring that the product is safe for its intended use, are the responsibility of the customer. To view our Application Considerations, please visit <https://www.regalrexnord.com/Application-Considerations>. To view our Standard Terms and Conditions of Sale, please visit <https://www.regalrexnord.com/Terms-and-Conditions-of-Sale> (which may redirect to other website locations based on product family).

"Regal Rexnord" is not indicative of legal entity. Refer to product purchase documentation for the applicable legal entity. Regal Rexnord, Rexnord and Planetgear are trademarks of Regal Rexnord Corporation or one of its affiliated companies. © 2021, 2022 Regal Rexnord Corporation, All Rights Reserved. MCSSP22110E • Form# GR5-008E

RegalRexnord™