



OUR INNOVATION MOVES

Autogard Torque Limiter – XG Series

IMPERIAL



Download the most up-to-date version
at rexnord.com/documentation

XG SERIES – The Mechanical Fuse for Extruders

Twin screw extruders and compounding machines require the very best torque overload protection. The Rexnord® Autogard® XG Series offers features with the specific aim of protecting extruders from damage caused by unexpected torque spikes.

Features:

- Instantaneous separation of damaging inertias over a pre-set torque level
- Free running after torque overload
- Manual reset without the need of special tooling or replacement parts
- Easy to adjust torque setting on-site, and possible to tamper-proof the setting
- Fast and easy to disconnect motor and gearbox by removing the Wrapflex® element for machine maintenance
- Drop-out options available on every size
- Disengagement sensors available

XG Series: Size 1 & 2

Type M

- Shortest possible overall length

Order format: Model & Size - Type / S1 bore / S2 bore / Spring qty / A Torque setting

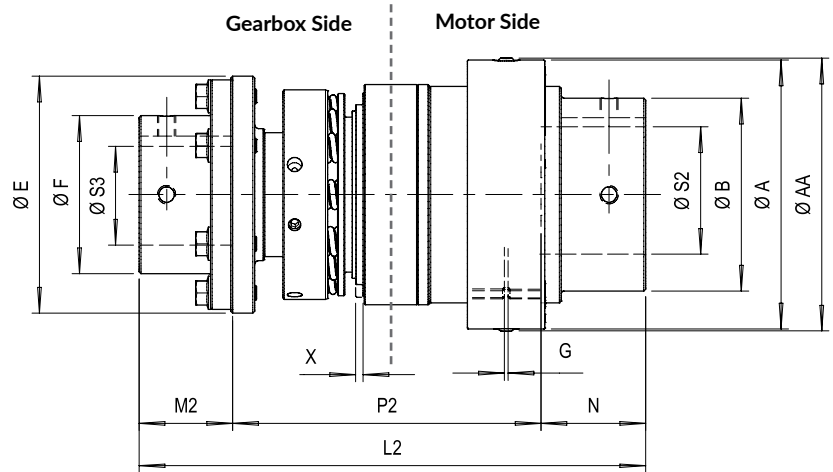
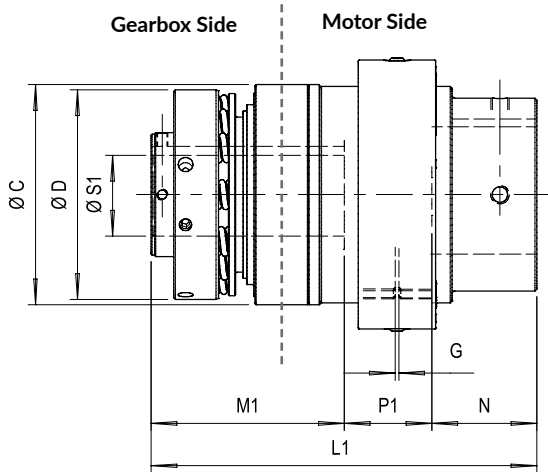
For example: XG1-M / S1-1.375 / S2-2.625 / 8 / 2000

Type R

- Allows for large motor shaft sizes
- Drop-out the torque limiting coupling without moving motor or gearbox

Order format: Model & Size - Type / S2 bore / S3 bore / Spring qty / Torque setting

For example: XG1-R / S3-2.000 / S2-2.625 / 8 / 2000



Size	Torque range (lb-in)				S1 ^① Bore max	S2 ^① Bore max	S3 ^① Bore max	Max. speed	Type M		Type R		Wrapflex Coupling Size	Max. Misalignment		
	2 Springs	4 Springs	8 Springs	12 Springs					Weight ^②	Inertia ^②	Weight ^②	Inertia ^②		Axial	Parallel	Angular
	in	in	in	in					lb	lb-in ²	lb	lb-in ²		± in	in	degrees
1	354 - 708	708 - 1420	1420 - 2920	2120 - 4430	1.75	2.875	2.375	4500	26.5	68.3	35.5	88.8	30R	0.01	0.08	1
2	1420 - 2830	2830 - 5660	5660 - 10600	8500 - 15900	2.5	4.125	3.375	3000	82.0	513	110	649	50R	0.02	0.08	1

Size	ø AA	ø A	ø B	Type M				Type R				N	G	X - Stroke on trip		
				ø C	ø D	L1	M1	P1	ø E	ø F	L2				M2	P2
				in	in	in	in	in	in	in	in				in	in
1	6.02	5.77	4.13	4.72	4.49	8.26	4.13	1.88	5.08	3.39	10.9	2.01	6.61	2.24	0.079	0.142 - 0.185
2	9.41	9.09	7.01	6.46	6.46	11	5.43	2.55	6.54	4.84	15.6	3.74	8.85	2.99	0.197	0.193 - 0.256

① Unless otherwise specified, bores will be manufactured with H7 tolerances
 ② Weight and inertia values are for unbored torque limiters

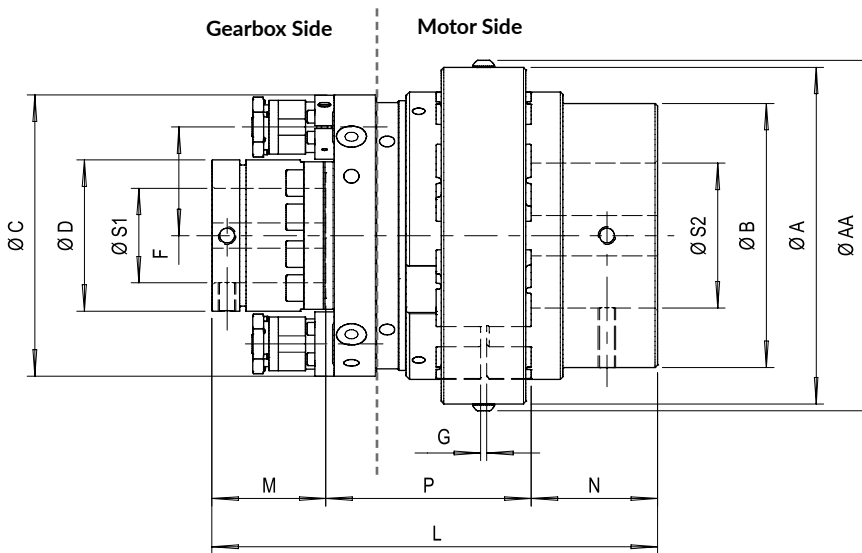


XG Series: Size 3 & 4

- Drop-out the torque limiting coupling without moving motor or gearbox
- Low maintenance - Torque limiting modules sealed for life

Order format: Model & Size / S1 bore / S2 bore / Spring range / Torque setting

For example: XG4 / S1-3.5 / S2-5.5 / HRT / 48000



Size	Low Range Torque	High Range Torque	S1 Bore max ①	S2 Bore max ①	Module Qty	Max Speed rpm	Weight ② lb	Inertia ② lb-in ²	Wrapflex Coupling Size	Max. Misalignment		
	lb-in	lb-in	in	in						Axial ±in	Parallel in	Angular degrees
3	4070 - 15500	6370 - 31000	3.313	5.25	2	2500	158	1570	60R	0.02	0.08	1
4	7610 - 30500	15300 - 61100	3.875	6.125	3	2100	262	3760	70R	0.02	0.08	1

Size	Ø AA	Ø A	Ø B	Ø C	Ø D	F	L	M	N	P	G
	in	in	in	in	in	in	in	in	in	in	in
3	10.9	10.5	8.27	9.17	4.72	3.39	13.9	3.54	3.94	6.42	0.20
4	12.6	12.2	9.88	10.9	5.91	4.45	16.1	3.94	4.72	7.40	0.20

① Unless otherwise specified, bores will be manufactured with H7 tolerances

② Weight and inertia values are for unbored torque limiters

ALL AROUND
THE GLOBE,

CUSTOMERS TRUST
OUR PROVEN BRANDS.

WHY CHOOSE REXNORD?

When it comes to providing highly engineered products that improve productivity and efficiency for industrial applications worldwide, Rexnord is the most reliable in the industry. Commitment to customer satisfaction and superior value extend across every business function.

Delivering Lowest Total Cost of Ownership

The highest quality products are designed to help prevent equipment downtime and increase productivity and dependable operation.

Valuable Expertise

An extensive product offering is accompanied by global sales specialists, customer service and maintenance support teams, available anytime.

Solutions to Enhance Ease of Doing Business

Commitment to operational excellence ensures the right products at the right place at the right time.